

ES45 Model 2 Mini Tower System

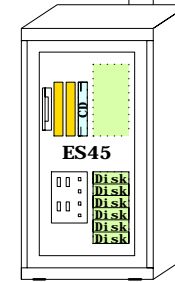
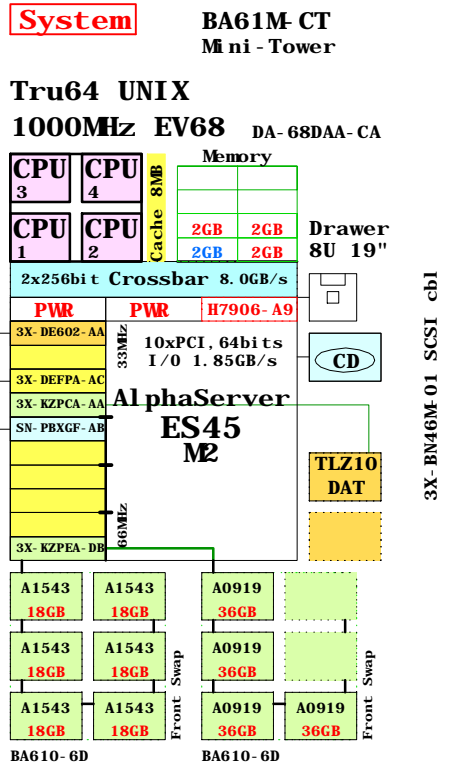
Ethernet

FDDI

BN19C-2E
SN-LKQ47-AF
BN39C-02, Video

Monitor
15" C

BN19C-2E
BN19C-2E
BN19C-2E



AlphaServer ES45
Mini-Tower

Bill of material of this Tower system

	Part Number	Qty	Description
1	BA61M-CT	1	ES45 Mini-Tower Enclosure
1.1	3X-BN46M-01	1	SCSI cable for Tape
1.2	BN19C-2E	3	PowerCable 240V, C-Europe
1.3	DA-68DAA-CA	1	ES45 68/1000 Model 2 2GB UNIX 10PCI DWR
1.3.1	3X-DE602-AA	1	10/100 2xChannel Ethernet, Twisted
1.3.2	3X-DEFPA-AC	1	PCI to FDDI SAS MMF with SC, Universal
1.3.3	3X-KZPCA-AA	1	Single channel LVD adapter
1.3.4	3X-KZPEA-DB	1	PCI 2-chan SCSI Ultra3 LVD
1.3.5	BA610-6D	1	ES40 Disk Drive Cage, 6-Bay
1.3.5.1	3R-A1543-AA	6	18.2GB Uscsi3 15k Universal disk 1"
1.3.6	BA610-6D	1	ES40 Disk Drive Cage, 6-Bay
1.3.6.1	3R-A0919-AA	4	36.4GB Uscsi3 10k Universal disk 1"
1.3.7	H7906-A9	1	ES40 Power Supply, 2nd or 3rd
1.3.8	KN610-DB	3	ES45 68/1000MHz UNIX SMP 8mb cache
1.3.9	MS620-CA	3	ES45 2GB Memory Option
1.3.10	SN-PBXGF-AB	1	3DLabs Oxygen VXI 32MB PCI 2D graphics
1.3.11	TLZ10-LB	1	12/24GB 4mm DAT 5.25" HH
2	3R-A2832-AA	1	COMPAQ Monitor S510 15" NH, EU
2.1	BN39C-02	1	1.8 Video Extension Cable ****
3	SN-LKQ47-AF	1	102 KEY KYBD, NON-WN, Finnish
4	BN19C-2E	1	PowerCable 240V, C-Europe

www.compaq.com/golden-eggs
Since: Sep-2001

COMPAQ 08-Oct-2001 GTAUES451
Matti.Patari@compaq.com

ES45 UNIX

AlphaServer ES45 Mini Tower
GOLDEN EGGS Visuals, Helsinki

This template is included in the present GOLDEN EGGS Software kit.